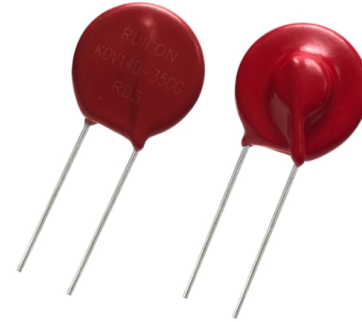


**Description**

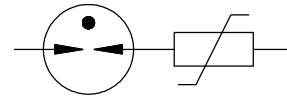
Ruilon combines its patented GDT and a Metal Oxide Varistor (MOV) to create a new and innovative KOV<sup>®</sup> Series Composite Surge Protective Unit. By combining the best features of both MOV and GDT technologies, the KOV<sup>®</sup> Series achieves high performance as a long life protector with low capacitance and, most importantly, very low leakage. The KOV<sup>®</sup> Series is ideally suited for any number of AC and DC power applications where a high level of performance is required over time.



**Features**

- I Hybrid design
- I Low leakage
- I Bidirectional protection
- I Low capacitance
- I RoHS and REACH compliant

**Circuit Diagram**



**Applications**

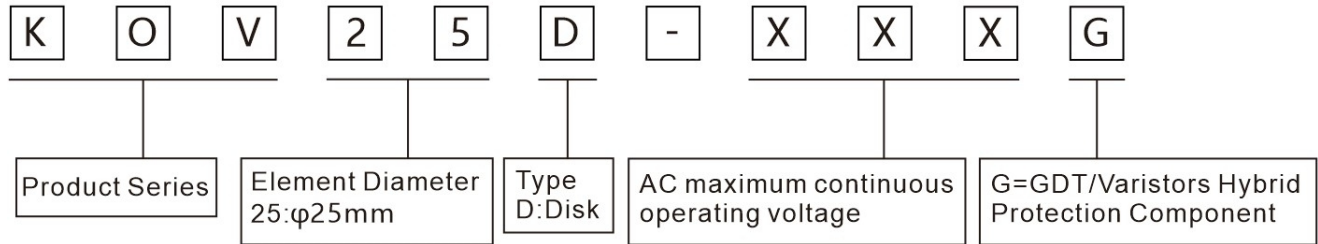
AC Line Protection

- I White goods
- I Power line communications
- I Smoke alarm systems
- I High value consumer goods
- I UL 1449 SPD 5th edition

DC Line Protection

- I Solar inverters
- I Power supplies
- I Distribution systems

**Part Number Code**



**Absolute Maximum Ratings (@T<sub>A</sub>=25°C unless otherwise noted)**



Parameter	Symbol	Typ	Value	Unit
Operating Temperature	T <sub>OPR</sub>	25	-40 -85	°C
Storage Temperature	T <sub>STG</sub>	25	-40 -105	°C

**Electrical Characteristics(@T<sub>A</sub>=25°C unless otherwise noted)**

Part No.	Operating				Protection					
	Max. Continuous Operating Voltage (MCOV)		Max. Leakage @ MCOV	Max Capacitance	Inom UL1449/4th.	UOC IEC61000-4-5	Ring Wave Surge IEEE 62.41	Protection Level Current Class (1) IEC 61051-1		Comply with safety standards IEC62368-1: 2018 GB4943.1-2022
	Vrms	V <sub>DC</sub>	Arms	1MHz	15 Ops.	40 Ops.	200 A	Max .	Typ.	
	V	V	μA	pF	In(A)	Uoc(V)	Ops.	V <sub>fp</sub>	V <sub>C</sub>	
KOV25D-050G	50	65	< 1	4	10000	20000	± 250	700	150	50
KOV25D-060G	60	85	< 1	4	10000	20000	± 250	700	185	50
KOV25D-130G	130	170	< 1	4	10000	20000	± 250	700	360	50
KOV25D-150G	150	200	< 1	4	10000	20000	± 250	700	390	100
KOV25D-175G	175	225	< 1	4	10000	20000	± 250	1200	475	120
KOV25D-210G	210	275	< 1	4	10000	20000	± 250	1200	535	150
KOV25D-250G	250	320	< 1	4	10000	20000	± 250	1200	630	150
KOV25D-275G	275	350	< 1	4	10000	20000	± 250	1200	680	208
KOV25D-300G	300	385	< 1	4	10000	20000	± 250	1200	740	208
KOV25D-320G	320	415	< 1	4	10000	20000	± 250	1200	810	230
KOV25D-350G	350	460	< 1	4	10000	20000	± 250	1600	870	240
KOV25D-385G	385	505	< 1	4	10000	20000	± 250	1600	950	277
KOV25D-420G	420	560	< 1	4	10000	20000	± 250	1600	1050	300
KOV25D-460G	460	615	< 1	4	10000	20000	± 250	2200	1150	400
KOV25D-510G	510	670	< 1	4	10000	20000	± 250	2200	1330	480
KOV25D-550G	550	745	< 1	4	10000	20000	± 250	3000	1455	600
KOV25D-750G	750	990	< 1	4	10000	20000	± 250	3000	1930	690

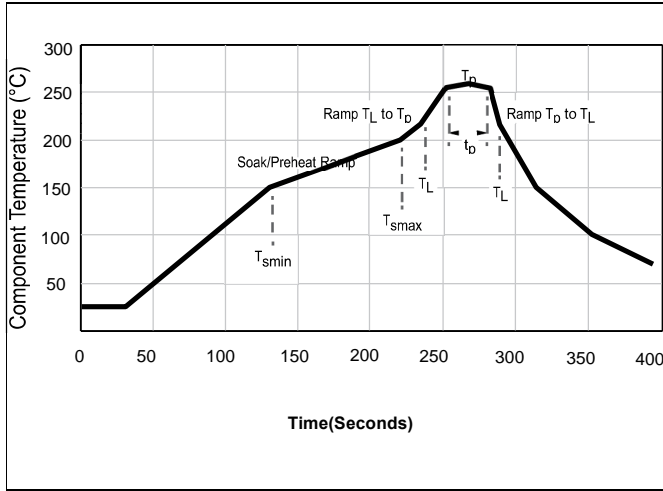
1) Front Level Protection (V<sub>fp</sub>) defined as measured with 10 % of peak current in accordance with IEC 61051-1.

**Agency Approvals**

Icon	Description
<b>ROSH</b>	Compliance with 2011/65/EU
<b>HF</b>	Compliance with IEC61249-2-21:2003
	Mean lead free
	Compliance with UL1449 Certificated E337906

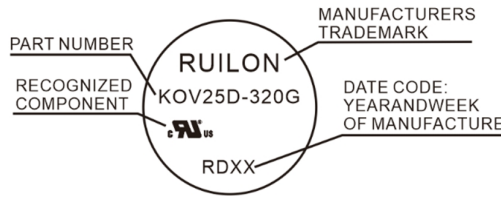
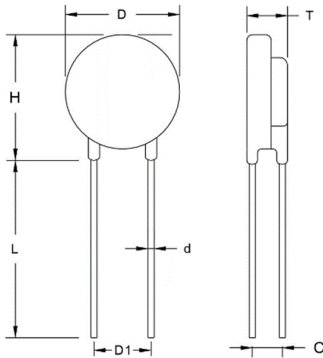
### Soldering Profile

Users should ensure that they do not exceed the scope of IPC/JEDEC J-STD-020 (Pb-Free) during solder assembly.



Profile Feature	Profile Limits
Preheat temperature min. ( $T_{smin}$ )	150°C
Preheat temperature max. ( $T_{smax}$ )	200°C
Ramp time ( $T_{smax} - T_{smin}$ )	60 – 120 seconds
Ramp-up rate ( $T_L$ to $T_p$ )	3 °C / second max.
Liquidus temperature ( $T_L$ )	217°C
Time maintained above ( $T_L$ )	60 – 150 seconds
Peak package body temperature	260°C
Time within 5 °C of peak temperature ( $T_p$ )	30 seconds max.
Ramp-down rate ( $T_p$ to $T_L$ )	6 °C / second max.
Time from 25 °C to peak temperature	8 minutes max.

### Dimensions



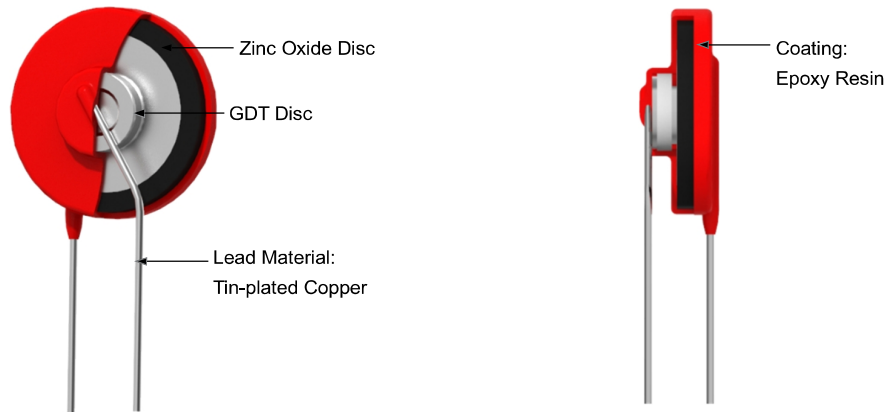
Symbol	Millimeters	Inches
H(max)	32.0	1.260
L(min)	20.0	0.788
D(max)	28.0	1.103
D1(± 1.0)	10	0.394
T(max)	TABLE2	
C(± 1.0)	TABLE2	
d(± 0.1)	1.0	0.039

Packaging Quantity: 100pcs/bag

TABLE2


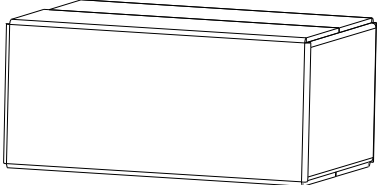
Model	T(max)		C		Model	T(max)		C	
	Millimeters	Inches	Millimeters	Inches		Millimeters	Inches	Millimete	Inches
KOV25D-050G	7.1	0.279	4.2	0.165	KOV25D-320G	9.1	0.358	5.8	0.228
KOV25D-060G	7.3	0.287	4.2	0.165	KOV25D-350G	9.2	0.362	6.0	0.236
KOV25D-130G	7.7	0.303	4.2	0.165	KOV25D-385G	9.5	0.374	6.3	0.248
KOV25D-150G	7.8	0.307	4.4	0.174	KOV25D-420G	9.8	0.385	6.6	0.260
KOV25D-175G	8.1	0.319	4.6	0.181	KOV25D-460G	10.1	0.398	7.4	0.291
KOV25D-210G	8.2	0.323	4.9	0.193	KOV25D-510G	10.6	0.417	7.7	0.303
KOV25D-250G	8.5	0.335	5.2	0.205	KOV25D-550G	12.0	0.472	8.0	0.317
KOV25D-275G	8.7	0.342	5.4	0.213	KOV25D-750G	13.0	0.512	9.0	0.354
KOV25D-300G	8.9	0.350	5.6	0.220					

Construction



Packaging Information - 25 mm Disc

**BULK:**

Inner box size	Outer box size	Quantity
Size: 260*208*55(mm) 	Size: 435*275*200(mm) 	<ul style="list-style-type: none"> <li>• 1200 pcs. per carton</li> <li>• 100 pcs. per bag</li> <li>• 2 bags per inner box</li> <li>• 6 inner boxes per carton</li> </ul>